

# FURUTECH

PURE TRANSMISSION



## ***Introducing the Ethereal FT-211 Spade Terminals***

***Premier Performance and  
Legendary Build Quality***

### ***The Furutech Ethereal FT-211(G)/(R) Spade Terminals***

Furutech is known the world over for a huge variety of top-quality OEM parts and delivers consistently superior results by following Pure Transmission principles; examine every link in the power and signal path and ultimately optimize each and every element.

In highly-resolving audio systems EVERYTHING makes a difference. Low-mass, low-weight spade and banana speaker terminals have recently found favor with many audiophiles. Furutech's beautifully-finished, beautiful-sounding Ethereal Spade Terminals are the result of meticulous engineering and careful audition of various materials. The FT-211 features an  $\alpha$  (Alpha) pure-copper conductor yielding minimal impedance. The conductor is housed in an extremely nonresonant POM resin body with a shell crafted of nylon and fiberglass using Furutech's outstanding Piezo Ceramic damping material.

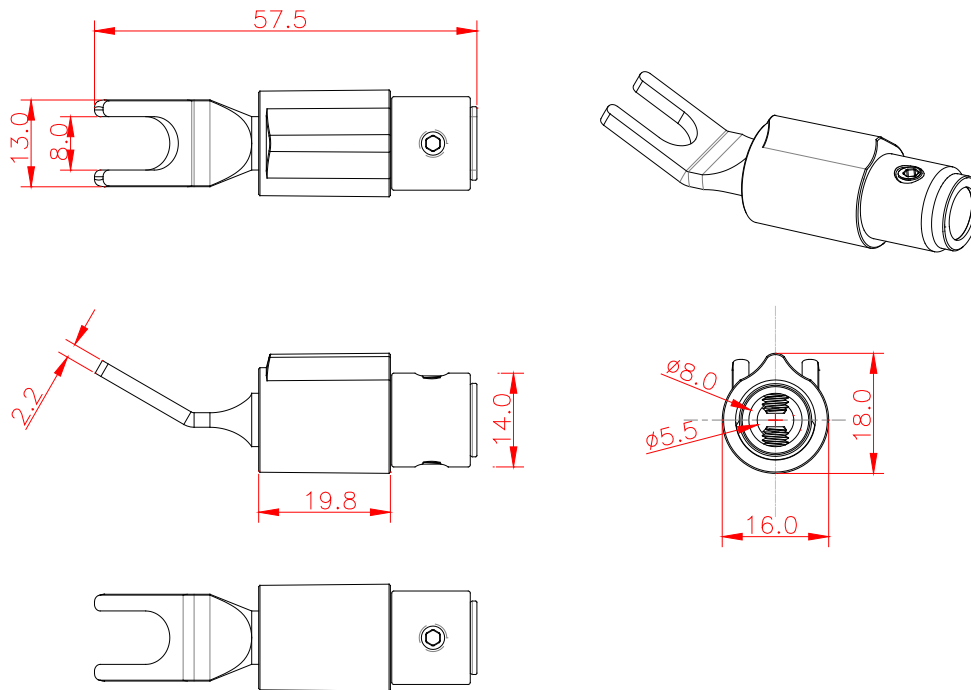
It's difficult to find better...

### ***Features and Materials***

- Main conductor: Rhodium or 24k gold-plated  $\alpha$  (Alpha) pure copper wire
- Housing: Black nylon/fiberglass with Piezo Ceramic resin
- Body Insulation: Black resin-injected POM
- Termination: Set screw
- Specified for core diameters up to 4.5mm
- Specified for core insulation diameter up to 7.8mm
- End Ring: Stainless steel

Dimensions: Housing: 18.0 X 16.0  $\phi$  x 19.8mm overall height  
Total overall length: 57.5 mm approx.

## Furutech Ethereal FT-211 Spade Terminals



### **Awards**

DeMag Wins CES Best of Innovations '07 • e-TP609 Wins Absolute Sound Product of the Year Awards '07 • G-320A-18 Power Cord Wins 6moons Blue Moon Award '07 • Evolution Cables Wins Best of 2007 Awards Enjoy the Music • Reference III Cables Win Absolute Sound Editors' Choice '07/'08 • AG-12 Phono Cable Wins the SoundStage Network's Reviewers' Choice Award '08 • Ag-12 Phono Cable is Tone Audio's Exceptional Value Award '08 • Monza LP Stabilizer, Silver Arrows Phono Cable, La Source Headshell Extensions All Win Tone Audio's Accessory Products of the Year • xv1.3 HDMI Cable Wins Positive Feedback's Brutus Award '08 • FI-50 Piezo Ceramic Series Connectors Win CES Best of Innovations '09 • Monza LP Stabilizer Wins Positive Feedback's Brutus Award '09 • Select Series Fuses Win Positive Feedback's Brutus Award '09 • GT2 USB Cable is Playback Recommended '09 • Torque Guard Speaker Binding Posts Innovations Honoree '11 • ADL GT40 Wins Tone Audio's Budget Digital Product of the Year Award '11 • ADL GT40 Wins SoundStage Network's Good Sound Great Buy Award '11 • PFO Writers' Choice Award for the Furutech DeStat II, GT40, Flow28, and the DeStat II '11

***Make a More Powerful Connection with Furutech!***

FURUTECH CO., LTD • [service@furutech.com](mailto:service@furutech.com) • [www.furutech.com](http://www.furutech.com)