



FI-09 (R) Rhodium Plated

FI-09 (G) 24k Gold Plated

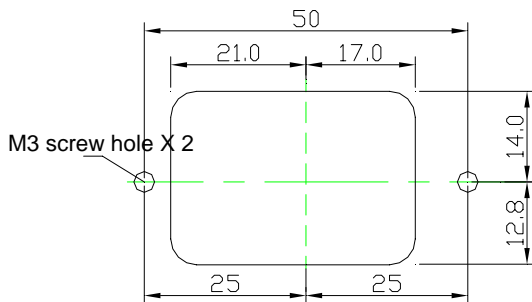
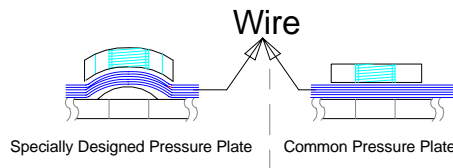
High End Performance IEC INLET 15A 250V

FI-09 (R)/ (G) Rhodium Plated/ 24 k Gold Plated

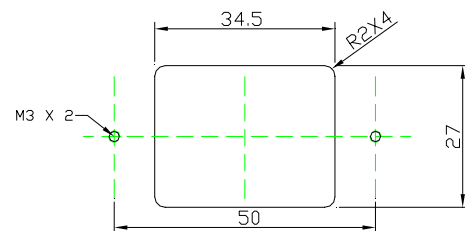
Type: 2-pole+earth

Rating: 15A 250V A.C.

- α (Alpha) Pure copper Conductor
- Material: Nylon/fiberglass
- Specified for wire diameters of 4mm (set screw)
- Dimensions: 60.0mm (W) x 30.2mm (D) x 36.2mm(H)
- Furutech's total attention to detail and build quality extends right down to a specially designed patent-pending pressure plate (see below) that increases the contact area of the Alpha Conductors.



Panel Cut-out Size



Panel Cut-out Size for Front mounting Use

All metallic parts are treated with the

**FURUTECH α (Alpha) Process (Super Cryogenic & Demagnetizing Treatment.)*

FURUTECH CO., LTD
service@furutech.com

Make A More Powerful Connection with Furutech!