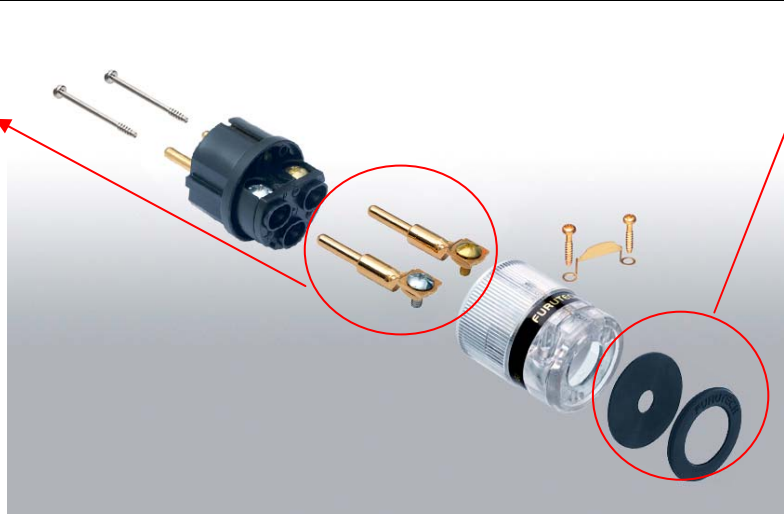


FI-E35 Series Upgrade Information:

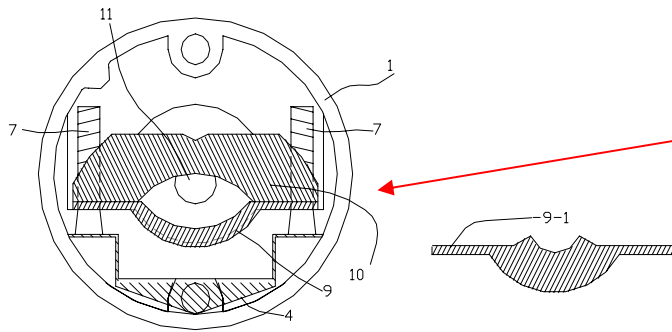
New Model :

Main conductor electrodes are more stable than the original model.



Irremovable rear cover (rubber washer can be removed).

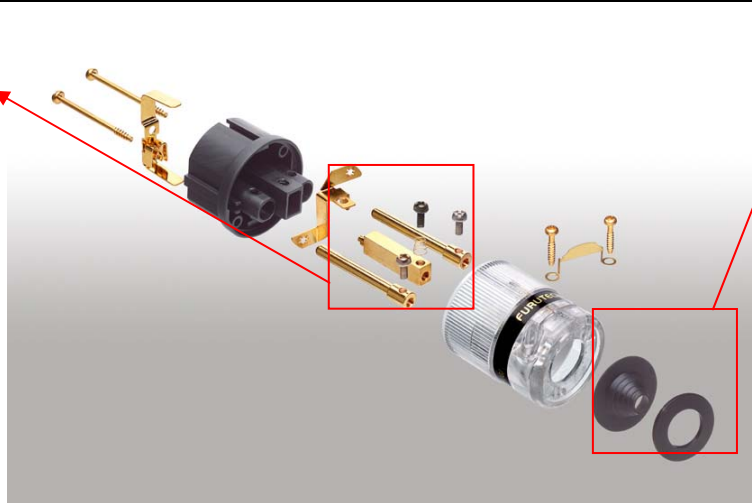
Cable fixing clip (No.9 & 9-1)
Clips are easy to change and provide more cable stability than the original model.



Inner view of housing

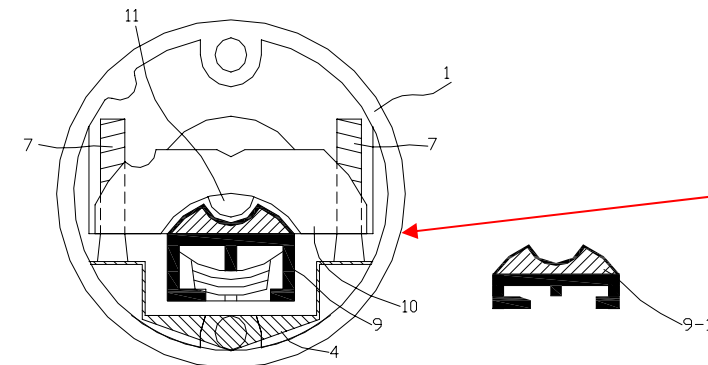
Original Type:

Main conductor electrode parts



Umbrella-shaped rubber cap has been removed on the new model

Cable fixing clip (No.9 & 9-1)



Inner view of housing