

FURUTECH

PURE TRANSMISSION

AEx

オーディオ銘機賞

Audio Excellence Award 2008



New for 2009!

FP-DIN Straight and FP-DIN (L) Phono Connector Series



FP-DIN

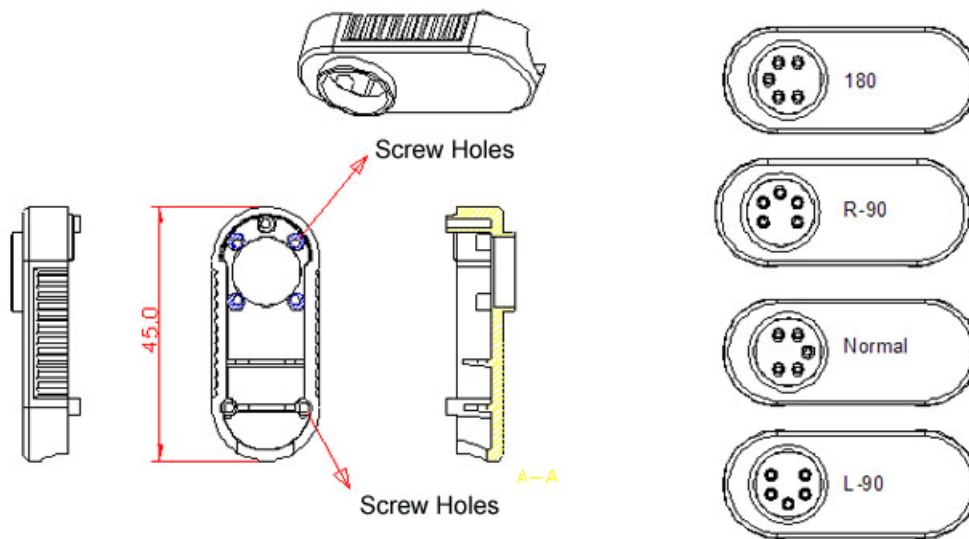
FP-DIN (L)

Features

- Rhodium-plated α (Alpha) phosphor bronze conductor
- Teflon Insulated Body
- Nonmagnetic stainless steel housing
- Soldered connections
- Specified for cable diameters max. 10.0mm
- Dimensions: FP-DIN • 14.0mm diameter x 54.0mm overall length
FP-DIN(L) • 45(L) X 19(W) X 33.4(H) mm approx.

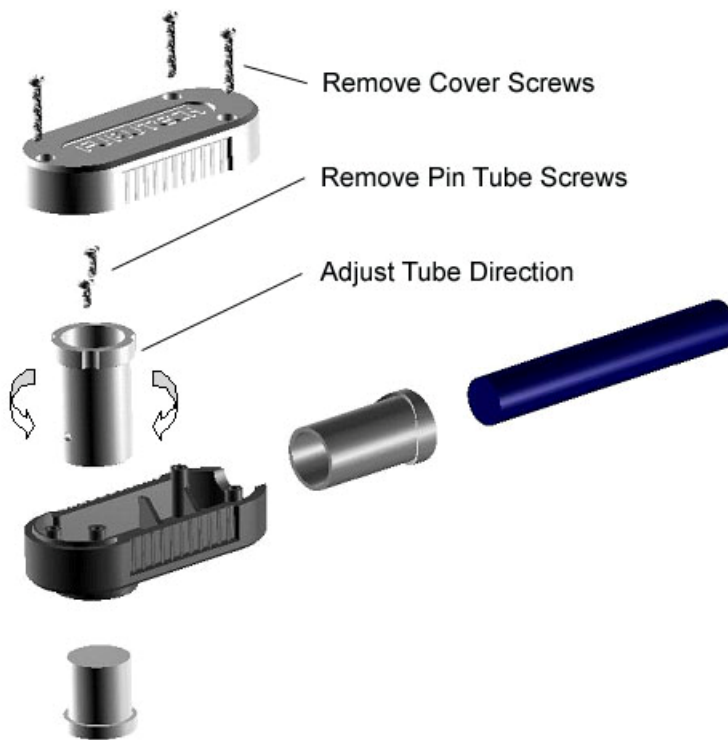
Furutech Pure Transmission Philosophy

Meticulous build quality is a large part of the engineering equation. Furutech Pure Transmission technology turns a macro lens on every element of power and signal transfer applying optimized engineering solutions to well-known problems such as contact resistance, EMI and RFI rejection, grounding, and using the best materials and processes available.



Specially engineered FP-Din (L) construction allows adjustable pin orientation!

Changing DIN Connector Tube Direction



***FI-50 Series Connectors Win Innovations Award for 2009!
Make A More Powerful Connection with Furutech!***

FURUTECH CO., LTD • service@furutech.com • www.furutech.com