

FURUTECH

PURE TRANSMISSION

AEx

オーディオ銘機賞

Audio Excellence Award 2008



New 2010!

High Performance Single and Duplex UK Mains Wall Sockets



FP-1363-S (R)/(G)

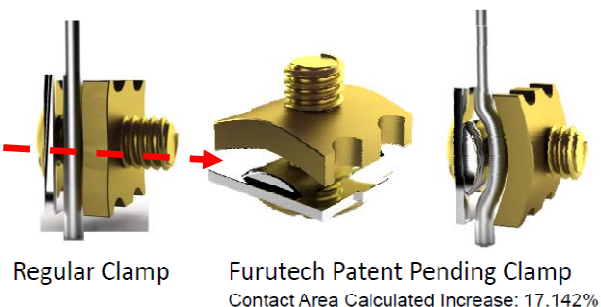
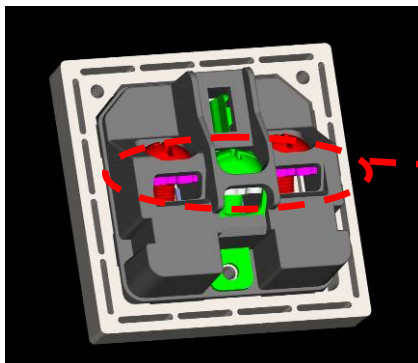


FP-1363-D (R)/(G)

Type: 2-pole+earth

Rating: 13A 250V A.C.

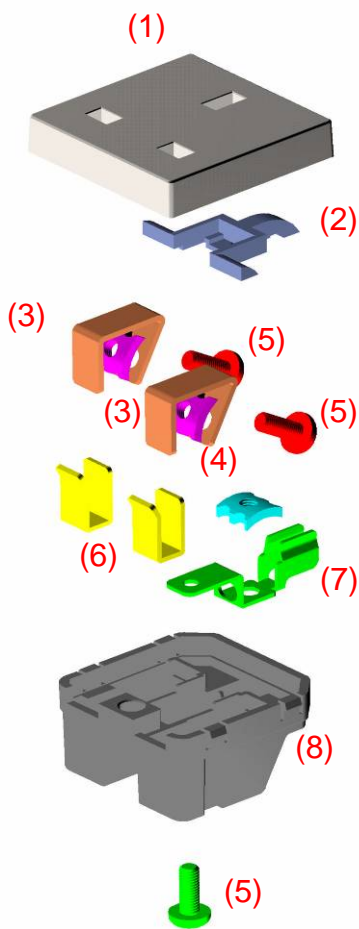
- α (Alpha) Pure copper main Conductor (t : 1.2 mm)
- Cover material: Poly carbonate cover
- Chassis plate material: The special grade aluminum front plate (t:10mm)
- Body material: Nylon/fiberglass body
- Specified for wire diameters of 2.8mm or 5.5 Sq.mm/10AWG Max. (set screw)
- Dimensions: FP-1363-S---86.0mm (L) x 86.0mm (W) x 25.0mm(H)
FP-1363-D---152.0mm (L) x 86.0mm (W) x 25.0mm(H)
- Furutech's total attention to detail and build quality extends right down to a specially designed patent-pending pressure plate (see below) that increases the contact area of the Alpha Conductors.



Rear view of FP-1363-S and FP-1363-D



Main Body Construction



- (1) Poly carbonate cover
- (2) Poly carbonate slide
- (3) α (Alpha) Pure copper main Conductor
- (4) Patent-pending pressure plate
- (5) N/L/E Conductor fixed screw
- (6) α (Alpha) Phosphor Bronze N/L Pin Support
- (7) α (Alpha) Phosphor Bronze Ground Pin Support
- (8) Nylon/fiberglass body

All metallic parts are treated with the

**FURUTECH α (Alpha) Process (Super Cryogenic & Demagnetizing Treatment.)*

FURUTECH CO.,LTD service@furutech.com

Make A More Powerful Connection with Furutech!