

# FURUTECH

PURE TRANSMISSION



Make A More Powerful Connection With  
Furutech Pure Transmission Technology



*Refinement Has a New Name...  
the Furutech  
Torque Guard Binding Posts*

*Premier Performance and  
Legendary Build Quality*



## ***Furutech Torque Guard Binding Posts Model FT-809***

All audiophiles search for the same qualities: Verisimilitude to the original event, a sense of engagement promoting suspension of disbelief, a visceral immersion in the audio video experience. They also know that everything in the signal path makes a difference, and that includes speaker binding posts.

This critical connection often proves the weakest link in the quest for tight, low-distortion signal. Change your cables a few times and speaker binding posts can loosen. It's bad enough in modestly-priced speakers where the simple remedy is to unscrew the back plate and tighten the offending nut. With expensive stand-mounted monitors or larger, more costly speaker systems why take the risk? The Torque Guard binding post sits at the very highest rung of build quality and musical performance, maintaining the tightest, most noise-free and undistorted signal path possible.

Furutech's beautifully finished, beautiful sounding Torque Guard Binding Posts are the result of meticulous engineering and careful audition of various suitable materials. The FT-809 features an  $\alpha$  (Alpha) pure copper conductor for minimal impedance and extremely nonresonant polycarbonate housing and eutectic copper alloy fixed ring. The unique patent-pending Torque Guard technology, which prevents over-tightening, allows each post to be evenly tightened for improved channel balance and signal transfer.

### ***Features and Materials***

- Patent-pending Torque Guard construction
- Main conductor:  $\alpha$  (Alpha) Pure Copper conductor Rhodium or 24k Gold plated
- Housing: Nylon/fiberglass with piezo ceramic and carbon damping material
- Nylon (red/white) and Polycarbonate (clear) insulation
- Connections: Soldered or Crimp termination

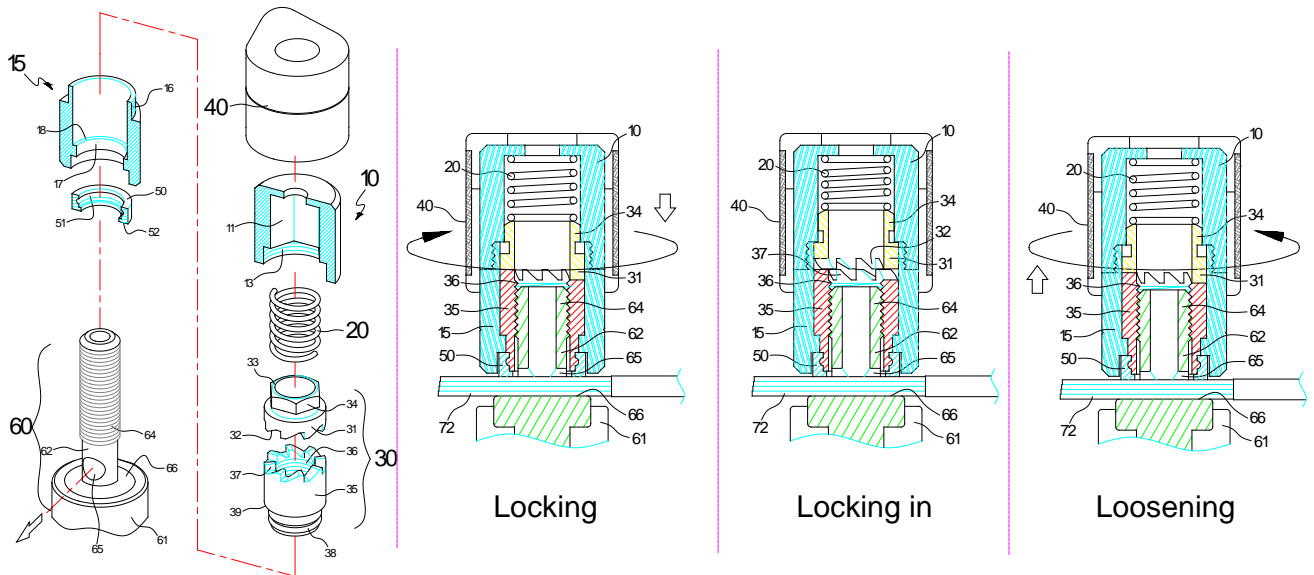
- Specified for core diameters up to 4.5mm

**Dimensions:** Housing unit: 25.0  $\phi$  x 30. mm (L) x 38.9mm overall height

Insulation: Polycarbonate (Clear) 19.3  $\phi$  x 7.3mm(H),

Total overall length: 74.6 mm approx.

### Patent-pending Torque Guard unit Exploded and Sectional view



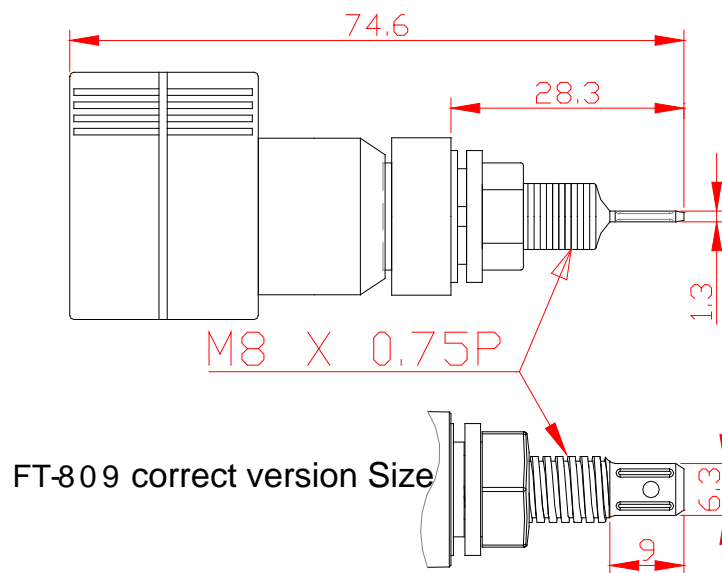
(20) Preset torsion value spring

(30) The teeth move the unit and once the torsion has surpassed the bracelet value setting the unit will reach idle operation.

(40) Polycarbonate Housing unit setting with 10,15,30 and 50

(60) Main conductor part: 62/63 = Pure copper(one piece construction),  
64/65 = POM plastic injection molding thread for improved damping.

One piece construction Main body end terminal Size and torque grade housing view :



**Make a More Powerful Connection with Furutech!**

FURUTECH CO., LTD • [service@furutech.com](mailto:service@furutech.com) • [www.furutech.com](http://www.furutech.com)