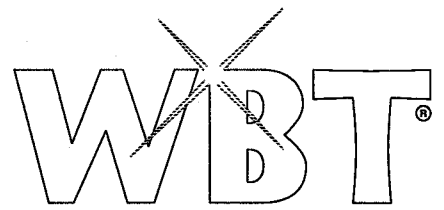


WBT-0730.01 Standard
 WBT-0730.11 Signature Gold
 WBT-0730.12 Signature Platinum

E



precision mechanics
 contact systems · connectors

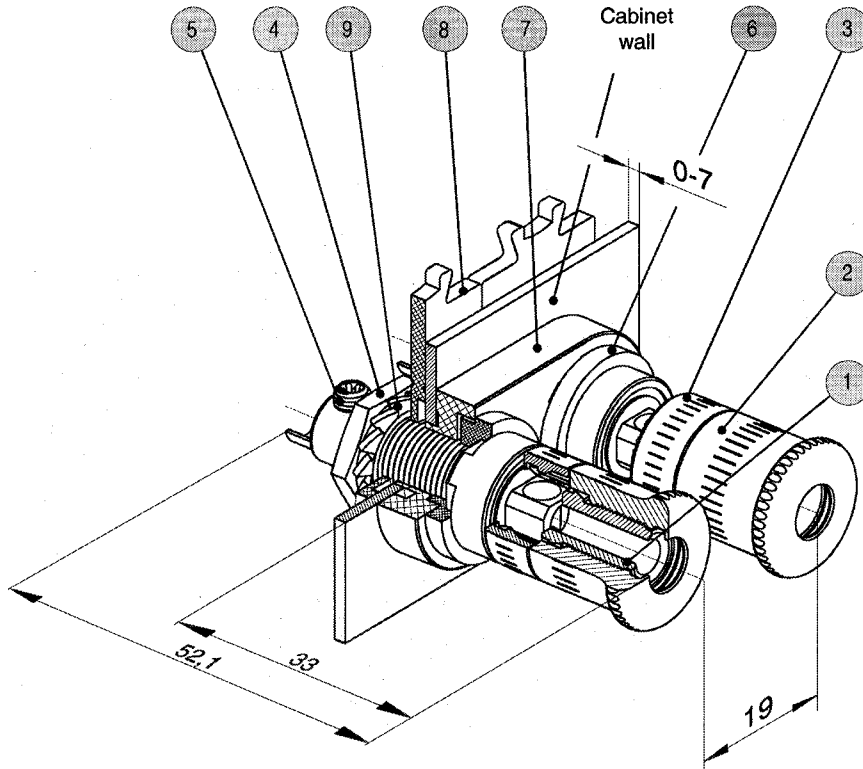


Table of contents

1	Base element	2
2	Adjusting nut	2
3	Compression pad	2
4	Counternut	2
5	Torx® screw, M4 x 7 mm, brass	2
6	Double step washer w. square socket a. tappet, PA, 4.6 mm, red & white	2
7	19-mm connection bracket, PA, red or white	1
8	Insulating tooth lock washer, PA, red and white/alternative* insulating puzzle lockwasher, PC, black	2
9	Optional serrated lock washer, bronze	2

Extent of delivery : 1-8, 9 optional **/ 1-8 mounted ***

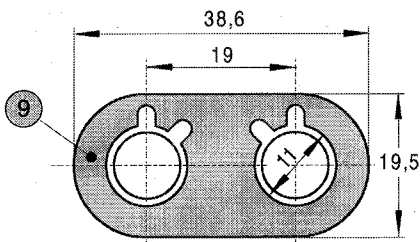
Revision date : 2001-04-24

All rights reserved · Petty patent (DBGM 90020367) and int. registered design (M9001263) by WBT. WBT is a reg. trademark of WBT Germany. Torx is a reg. trademark of Camcar Textron, USA. * alternative for OEM version only ** option for OEM version only *** for consumer version only, for OEM version: 1-3 mounted

Also available as fully insulated, contact-protected part (WBT-0735), in accordance with the safety standards of CE* und IEC** 65.

* CE is the abbreviation of Conformité Européenne. ** IEC is the abbreviation of International Electrotechnical Commission.

All dimensions in mm



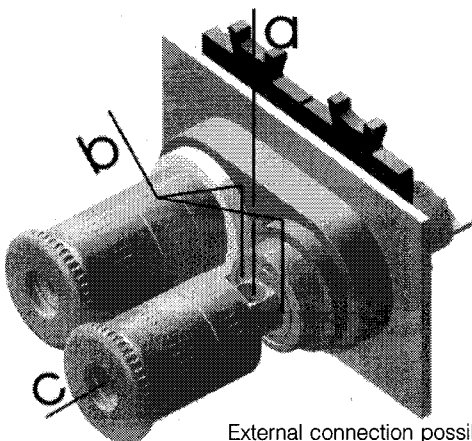
Drilling scheme (original size)

WBT-0730 Double pole terminal

High-current double pole terminal 19/4 for cabinet mounting

- Mechanics**
 - single-segment, low-tolerance contact elements (tol. less than ± 0.02 mm)
 - solid basic element with 4-mm boring for banana plug, internal screw box and cross boring (dia. 5.6 mm) also for thick cables. Adjusting nut with extra-fine thread (0.5 pitch) and free running compression pad with cross-milled surface for optimum contact pressure, reduces wear on cables.
- Materials**
 - all solid parts made of highly ductile "OFC" copper alloy
 - insulating material: polyamide (PA) 6 (10% glass fibre), red, white or black/polycarbonate (PC) (30% glass fibre), black
- Surfaces**
 - Standard: 3-layer finish, Au 0.3 μ m, non-magnetic
 - Signature: plated and polished, 1-layer finish, Au 0.3 μ m or Pt 0.3 μ m, non-magnetic
- Operating characteristics**

	Standard	Signature
constant current	$I_D > 200$ A	$I_D > 200$ A
peak current:	$I_S > 2,000$ A	$I_S > 2,000$ A
contact resistance	$R_0 \leq 0.1$ mohms	$R_0 \leq 0.07$ mohms
volume resistance	$R_B \leq 0.003$ mohms	$R_B \leq 0.002$ mohms
isolation resistance	$R_{iso} > 10^{10}$ ohms	$R_{iso} > 10^{10}$ ohms
- Connection options**
 - internal connection (for cables up to 10 mm² (AWG 8)):
 - soldering version
 - crimping version
 - external terminal:
 - a) for cable ends up to 6 mm² (AWG 10)
 - b) for spade lugs (with 6- and 8-mm contact fork)
 - c) for 4-mm banana plugs
- Mounting**
 - using connection bracket 9 in acc. with mounting diagram: 19-mm standard spacing the single terminal can be installed in steps of 45°
 - single, without connection bracket: boring: dia. 11.5^{+0.2} mm with 2.5x2 nut for twist protection
- Safety instruction:** within the EU territory WBT-0730 must not be used without the safety-stick (WBT-0799) (to provisionally close the 4-mm banana-boring).



External connection possibilities (see under 5.)